



MIDWEST Fasteners, Inc.
 450 Richard St. • Miamisburg, OH 45342
 www.midwestfasteners.com • email: sales@midwestfasteners.com
 Toll Free: 800/852-8352 • Fax: 937/866-4174

CD80

CAPACITOR DISCHARGE STUD WELDER



The **CD80** from Midwest Fasteners is a standard-duty Capacitor Discharge Stud Welding System designed specifically for the OEM industry. This system's solid state design and modular construction promises dependability, versatility, portability and long service life.

The CD80 welds materials such as mild steel, stainless steel, aluminum and brass. The capacitor discharge process is so fast that studs can be welded to materials as thin as .015" without burning through. What's more, the CD80 is powerful enough to weld fasteners from 14 gauge through 5/16" diameter weld base. It operates on standard 120 Volt AC incoming power and features stepless weld voltage control. A 220 Volt AC "Export" system is also available.

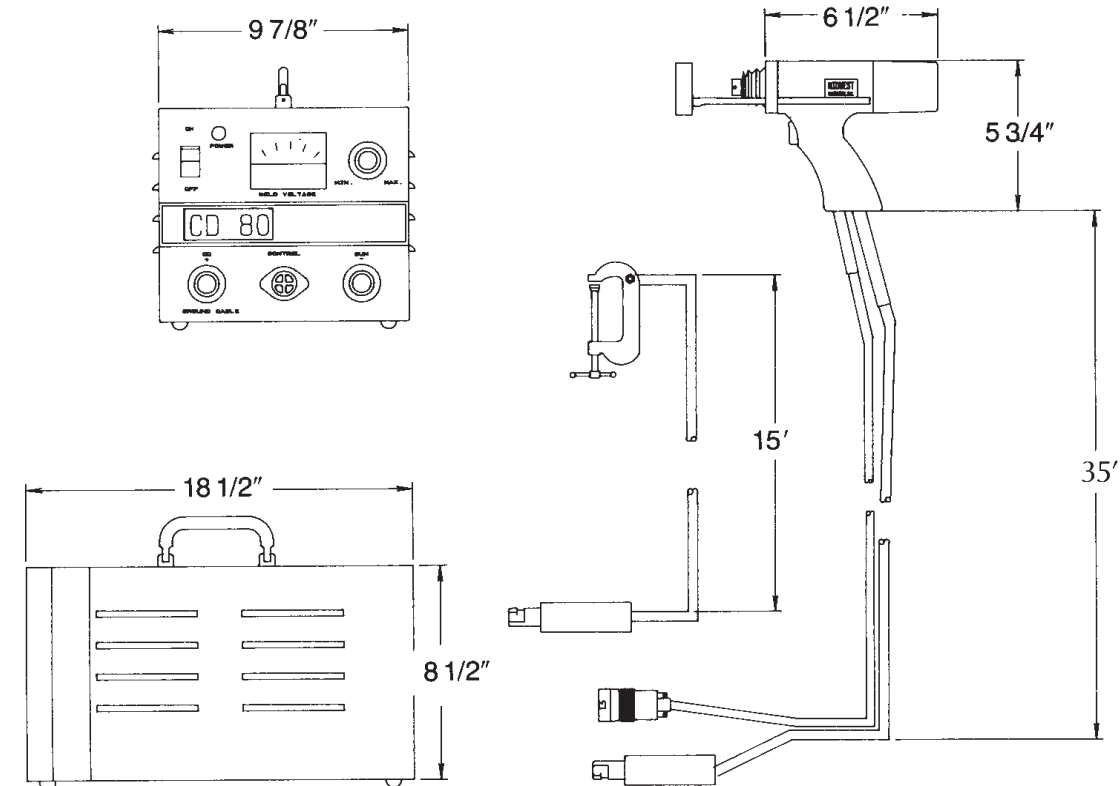
The unit's solid state circuitry means greater dependability and lower maintenance costs, since moving parts are eliminated. And the rugged steel

chassis makes the CD80 able to withstand typical construction jobsite environments. Gauges and control knobs are protected by a recessed control panel. The auto fault shut off helps guard operator safety, and the panel meter displays capacitor discharge voltage at a glance. Another safety feature, circuit breaker protection, prevents expensive repair to component parts, such as printed circuit board.

Midwest Fasteners includes an ultra-light 24 ounce Precision Contact Gun with the CD80. With this Contact Gun, operator fatigue is reduced—thereby increasing production. Interchangeable main spring pressure is also featured on the CD80 contact weld gun. This feature is critical in welding aluminum fasteners and dissimilar materials, and is necessary in many special welding applications.

The CD80. Available only from Midwest Fasteners—your complete source for stud welded fasteners and CD stud welding systems.

CD80 CAPACITOR DISCHARGE WELDING SYSTEM



SPECIFICATIONS:

POWER SUPPLY/CONTROLLER

Height	8-1/2"
Width	9-7/8"
Depth	18-1/2"
Weight	58 Pounds
Weld Rate	up to 20/Min.
Weldable Materials	Mild Steel, Stainless Steel, Aluminium
Pin/Stud Range	14 Ga, thru 5/16" Dia. weld base
Weld Voltage	35-175 VDC
Capacitance	98,000 Mfd
Weld Mode	Contact
Power Requirement	115VAC, 60 Hz, 20 Amp

WELD GUN (CD-2P PRECISION)

Weight	1-1/2 Lbs. (Not including cable)
Size (LWH)	6-1/2" x 2" x 5-3/4"
Weldable Dia.	1/8" through 5/16" Dia.
Material	High strength, impact resistance, polycarbonate

CABLES

Ground Cable	#1 x 15 Ft. (one each)
Gun Extension Set	#1 x 18/2 x 35 Ft. (direct to gun)



MIDWEST Fasteners, Inc.
 450 Richard St. • Miamisburg, OH 45342
 www.midwestfasteners.com • email: sales@midwestfasteners.com
 Toll Free: 800/852-8352 • Fax: 937/866-4174